

# Air operated Pinch Valves

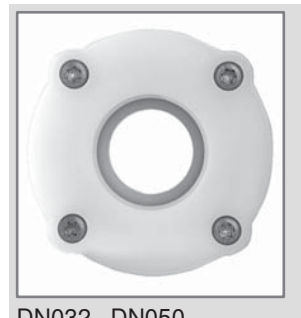
## Type VMP-Compact



DN010 - DN015



DN020 - DN025



DN032 - DN050

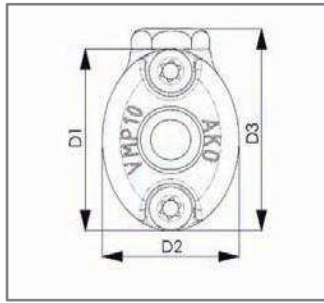
 **Reliable and cost-effective!**

**The compact valve solution for the shut off.  
For example dust, granule, powder, suspension, sewage, air venting etc.**

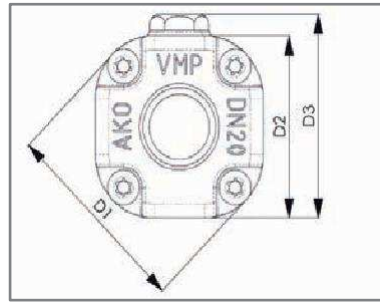
### Advantages:

- Extremely compact
- Weight reduced by 25%
- Suitable for food applications
- Explosion protected design
- Excellent weather resistance
- Complete free passage
- No plugging
- 100% tight shut off
- Easy maintenance and re-sleeving

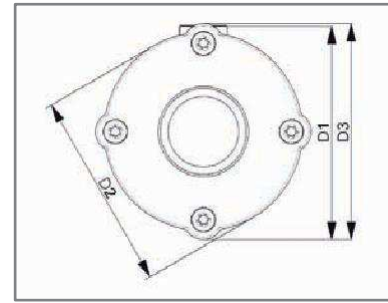
# Air operated Pinch Valves with Internal Thread Connection



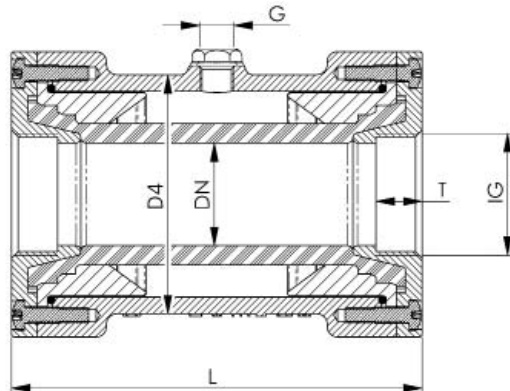
DN010 - DN015



DN020 - DN025



DN032 - DN050



## Industrial areas:

- Pneumatic conveying systems
- Pigments and granules
- Ceramics / glass / plastic industry
- Pharmaceutical / food industry
- Extraction systems
- Dosing systems
- Filling and weighing systems
- Air venting systems

DN / Di (mm,[inch])	IG (inch)	T (mm)	L (mm)	D1 (mm)	D2 (mm)	D3 (mm)	D4 (mm)	G (inch)	PS max. (bar)	screws	volume (ml)* (approx.)	weight** (kg)
10 [3/8"]	G3/8"	12	80	45	34	50	45	1/8"	6,0	4	15	0,15
15 [1/2"]	G1/2"	14	95	55	46	60	55	1/8"	6,0	4	25	0,25
20 [3/4"]	G3/4"	17	103	63	56	62,5	56	1/8"	6,0	8	40	0,35
25 [1"]	G1"	17	120	75	70	75	70	1/8"	6,0	8	80	0,50
32 [1 1/4"]	G1 1/4"	18	135	98	90	97	77	1/4"	4,5	8	150	0,65
40 [1 1/2"]	G1 1/2"	18	160	111	103	110,5	93	1/4"	4,5	8	300	1,00
50 [2"]	G2"	24	170	130	120	129	113	1/4"	4,5	12	450	1,50

\* Volume = Control volume with closed sleeve

\*\* weight for VMP valves w/stainless steel socket: DN10=0,3 / DN15=0,4kg

## Standard adaption:

Internal pipe thread (DIN ISO 228) or NPT, others on request

## Body / socket ends\*\*\*

- POM natural white** FDA approved
- POM black** Excellent weather resistance
- POM conductive** For areas at risk of explosion (EX)

\*\*\*Stainless steel socket end covers available in nominal diameter 10+15mm.

## Sleeves:

Natural rubber anti-abrasive, natural rubber food quality, EPDM, nitrile, CSM, butyl, CR (neoprene), others on request.

Technical details subject to change without notice.



**Basecamp Process Components, LLC**

8055-C Corporate Blvd., Plain City, Ohio 43064, USA

T: +1 614-873-8995 • E-mail: [info@akopinvalves.com](mailto:info@akopinvalves.com) • Web: [www.akopinvalves.com](http://www.akopinvalves.com)