

Air operated Pinch Valves with Flange Connection of VF series



Pinch Valves as shut-off Valves

Due to its simple structure, AKO's air operated pinch valve represents a particularly low cost/economic shut-off valve solution, because a separate drive is not required for actuating them.

In fact, only a 3/2-way solenoid valve or pilot valve is needed to control them.

Pinch Valves comply with PED (97/23/EC)

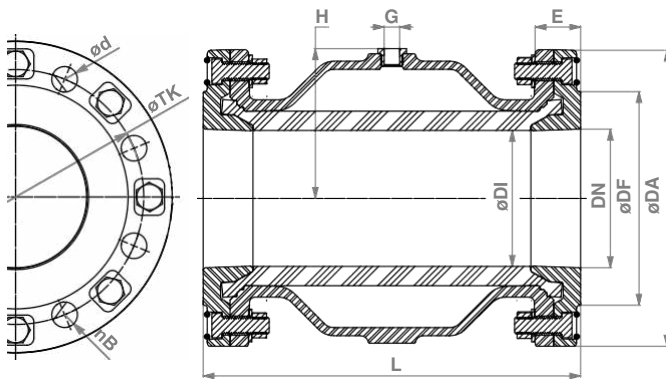
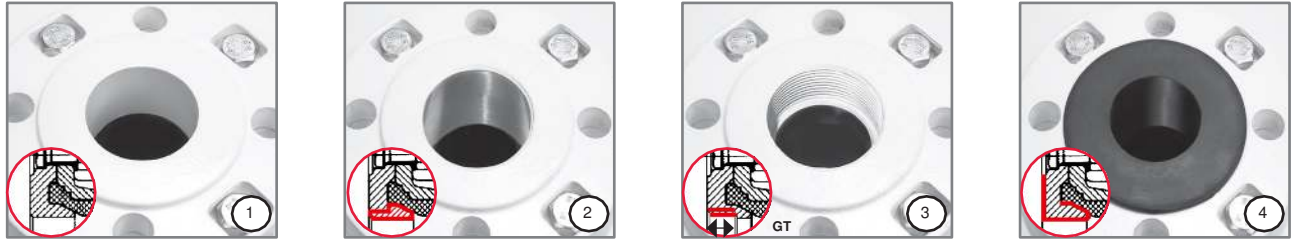
Materials:

Body/Flange: Aluminum

Valve finish:

Powder coated 60-80µm white RAL9010

Air operated Pinch Valves with Flange Connection of VF series



Flange variations:

- ① Aluminum flange
- ② Aluminum flange with steel/
stainless steel bushing
- ③ Aluminum flange with internal thread
- ④ Aluminum flange with flange sleeve**

DN (mm, [inch])	ØDI (mm)	ØDA (mm)	ØDF (mm)	nB***	Ød (mm)	ØTK (mm)	L (mm)	G (inch)	H (mm)	E (mm)	Weight (kg) Alu- flanges	Volume (l)* (ca. / approx)	PS max. (bar, [psi])
125 [5"]	118	250	184	8	18	210	348	G 1/4"	136	40	12,0	3,50	6 [90]
150 [6"]	145	285	212	8	22	240	418	G 1/4"	160	43	17,0	7,00	6 [90]
200 [8"]	190	340	268	8	22	295	558	G 3/8"	206	60	35,0	15,50	4 [60]
250 [10"]	250	395	320	12	22	350	680	G 1/2"	266	67	56,0	30,00	3 [45]
300 [12"]	300	444	370	12	22	400	820	G 1/2"	306	70	86,0	49,00	3 [45]

* Volume = Control volume with closed sleeve
 Flange connection pursuant to DIN PN 10. ANSI on request.
 ** Flange sleeve sealing increases the Dimension L (DN 40 - 100)
 *** Number of holes

Sleeves:

natural rubber (NR) anti-abrasive, NR food quality, NR high temp., EPDM, EPDM food black, EPDM food pale, NBR, NBR food black, NBR food pale, FPM/FKM, silicone, CR, CSM, IIR

Pinch Valve Accessories to be found on our data sheet "Pinch Valve Accessories".

Technical details subject to change without notice.



Basecamp Process Components, LLC

8055-C Corporate Blvd., Plain City, Ohio 43064, USA

T: +1 614-873-8995 • E-mail: info@akopinvalves.com • Web: www.akopinvalves.com