

## Mechanical Pinch Valves of OV series



*Safety regulated . . .*

 **Mechanical Pinch Valves:**  
**Valve solution for isolation and regulation**

Even larger solid particles are shut off by the sleeve, which is particularly resistant to abrasion and corrosion, hence shut off without leaks.

**Actuator variants:**

Actuator variants available include manual actuation by means of a hand wheel or the automatic variant with double or single-acting pneumatic cylinders.

# Mechanical Pinch Valves

The valve solution for abrasive, corrosive and fibrous products, granulates, powders and slurries.



## Valve function:

The manual valve is closed with handwheel.

The pneumatic valve is normally spring closed, air to open.

Furthermore a pinch valve with double acting cylinders is available.

## Advantages:

- free passage
- hermetic closing
- optimum tightness
- no plugging
- easy maintenance

Safety function in the event of loss of energy/air of type PA/PA2

## Construction:

Body and actuator aluminium, sleeves in various materials (e.g. natural rubber anti-abrasive, EPDM, neoprene)

## Maintenance:

The sleeves and other parts can be replaced easily

## Body:

Aluminium

## Sleeves:

Natural rubber or synthetic elastomers (i.e. NBR, CR, EPDM)

Sleeves in food grade on request.

## Flange dimensions:

Acc. DIN EN 1092 PN10

## Industrial areas:

- Pneumatic conveying systems
- Cement and fibrocement
- Pigment and granulates
- Ceramics-, glass-, plastic industry
- Sewage water and mud industry
- Marble- and granite industry etc
- Tannery



**Basecamp Process Components, LLC**

8055-C Corporate Blvd., Plain City, Ohio 43064, USA

T: +1 614-873-8995 • E-mail: [info@akopinervalves.com](mailto:info@akopinervalves.com) • Web: [www.akopinervalves.com](http://www.akopinervalves.com)

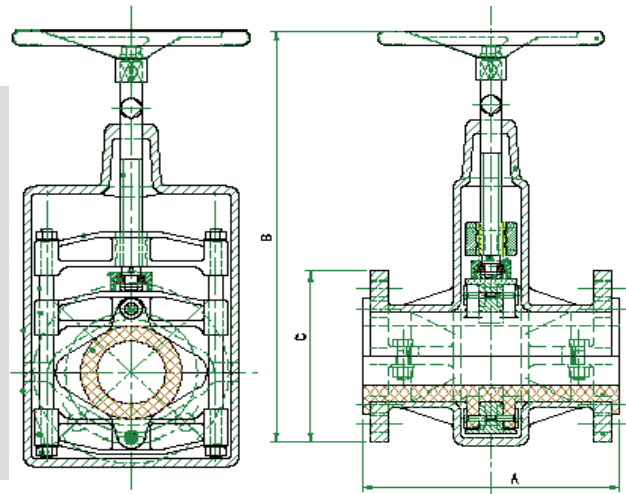
# Mechanical Pinch Valves

## OV series - type M

### Pinch Valve with handwheel

**Operation:** Manual with handwheel

**Opening/ closing mechanism:** DN 15-50mm: single acting  
 DN 65-250mm: double acting



### OV-M DN 15-250

DN / DI (mm,[inch])	A	B	C	screws	TK* (mm)	d* (mm)	PS max (bar,[psi])	weight (kg)
10 [3/8"]	162	195	95	4	65	14	5 [75]	1,8
15 [1/2"]	162	205	105	4	75	14	5 [75]	1,9
20 [3/4"]	196	230	115	4	85	14	5 [75]	2,7
25 [1"]	196	260	140	4	100	18	5 [75]	3,0
32 [1 1/4"]	216	275	150	4	110	18	5 [75]	4,0
40 [1 1/2"]	246	295	165	4	125	18	5 [75]	5,0
50 [2"]	256	455	185	4	145	18	5 [75]	11,5
65 [2 1/2"]	276	485	200	4	160	18	5 [75]	13,0
80 [3"]	316	525	220	8	180	18	5 [75]	17,0
100 [4"]	325	645	250	8	210	18	3 [45]	25,5
150 [6"]	325	745	285	8	240	22	3 [45]	30,0
175 [7"]	355	850	315	8	270	22	3 [45]	45,0
200 [8"]	370	860	340	8	295	22	3 [45]	45,0
250 [10"]	524	1112	395	12	350	22	2[ 30]	80,0

\* = Flange connection: TK= pitch circle / d = bolt holes

Technical details subject to change without notice.



**Basecamp Process Components, LLC**

8055-C Corporate Blvd., Plain City, Ohio 43064, USA

T: +1 614-873-8995 • E-mail: [info@akopinvalves.com](mailto:info@akopinvalves.com) • Web: [www.akopinvalves.com](http://www.akopinvalves.com)

# Mechanical Pinch Valves

## OV series - type PA/PA2

### Pinch Valve with pneumatic actuator

The valve is normally spring closed, air to open. (one/two single acting pneumatic cylinder)

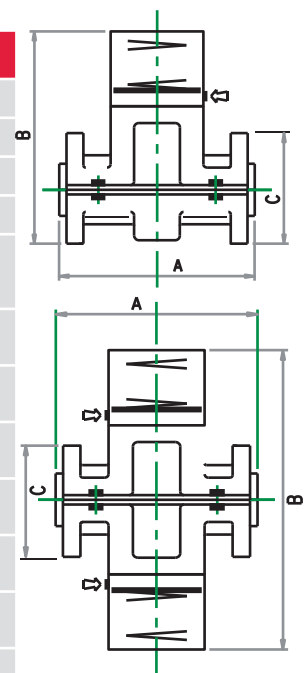
**Body+actuator:** Aluminium

**Accessories:** Solenoid valve, pressure regulators, limit switches



## OV-PA/PA2 DN 15-200

DN / Di (mm,[inch])	A	B	C	screws	TK* (mm)	d* (mm)	PS max (bar,[psi])	weight (kg)	type
15 [1/2"]	162	285	95	4	65	14	5 [75]	3,8	PA
20 [3/4"]	162	300	105	4	75	14	5 [75]	4,0	PA
25 [1"]	196	348	115	4	85	14	5 [75]	5,0	PA
32 [1 1/4"]	196	386	140	4	100	18	5 [75]	5,5	PA
40 [1 1/2"]	<b>m</b> 216	420	150	4	110	18	3 [45]	11,0	PA
50 [2"]	246	438	165	4	125	18	3 [45]	12,0	PA
65 [2 1/2"]	256	744	185	4	145	18	3 [45]	20,0	PA2
80 [3"]	276	830	200	4	160	18	3 [45]	40,0	PA2
100 [4"]	316	872	220	8	180	18	3 [45]	42,0	PA2
125 [5"]	325	1080	250	8	210	18	3 [45]	58,0	PA2
150 [6"]	325	1020	285	8	240	22	3 [45]	62,0	PA2
200 [8"]	370	1229	340	8	295	22	2 [30]	95,0	PA2



\* = Flange connection: TK= pitch circle / d = bolt holes

Technical details subject to change without notice.



**Basecamp Process Components, LLC**

8055-C Corporate Blvd., Plain City, Ohio 43064, USA

T: +1 614-873-8995 • E-mail: [info@akopinchvalves.com](mailto:info@akopinchvalves.com) • Web: [www.akopinchvalves.com](http://www.akopinchvalves.com)

# Mechanical Pinch Valves

## OV series - type P/P2

### Pinch Valve with pneumatic actuator

The valve is pneumatically operated with one / two pneumatic cylinder (double acting).

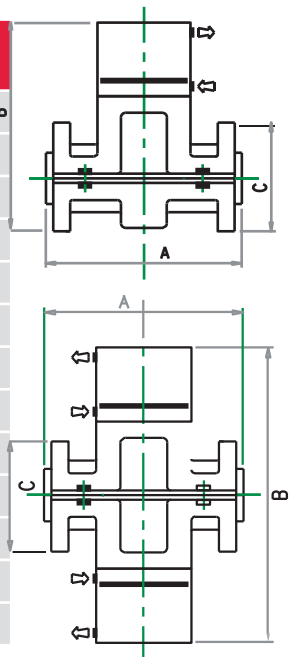
**Body+actuator:** Aluminium

**Accessories:** Solenoid valve, pressure regulators, limit switches



## OV-P/P2 DN 15-250

DN / Di (mm,[inch])	A	B	C	screws	TK* (mm)	d* (mm)	PSmax (bar,[psi])	weight (kg)	type
15 [1/2"]	162	194	95	4	65	14	5 [75]	2,5	P
20 [3/4"]	162	201	105	4	75	14	5 [75]	2,7	P
25 [1"]	196	208	115	4	85	14	5 [75]	3,5	P
32 [1 1/4"]	196	233	140	4	100	18	5 [75]	3,6	P
40 [1 1/2"]	216	320	150	4	110	18	5 [75]	7,0	P
50 [2"]	246	338	165	4	125	18	5 [75]	7,5	P
65 [2 1/2"]	256	440	185	4	145	18	5 [75]	15,0	P2
80 [3"]	276	580	200	4	160	18	5 [75]	30,0	P2
100 [4"]	316	600	220	8	180	18	5 [75]	33,0	P2
125 [5"]	325	722	250	8	210	18	5 [75]	45,0	P2
150 [6"]	325	792	285	8	240	22	5 [75]	50,0	P2
200 [8"]	370	904	340	8	295	22	4 [60]	84,0	P2
250 [10"]	524	1390	395	12	350	22	2 [30]	160,0	P2



\* = Flange connection: TK= pitch circle / d = bolt holes

Technical details subject to change without notice.



**Basecamp Process Components, LLC**

8055-C Corporate Blvd., Plain City, Ohio 43064, USA

T: +1 614-873-8995 • E-mail: [info@akopinchvalves.com](mailto:info@akopinchvalves.com) • Web: [www.akopinchvalves.com](http://www.akopinchvalves.com)